

**Warewashing**  
**Medium drying zone with door for**  
**green&clean multi-rinse Rack Type**  
**Dishwasher**

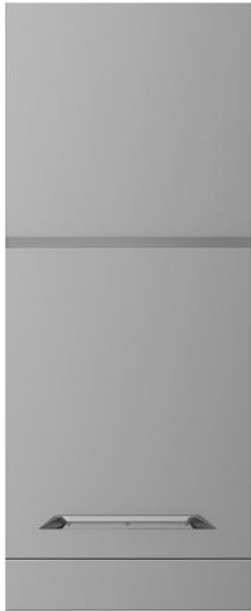
ITEM # \_\_\_\_\_

MODEL # \_\_\_\_\_

NAME # \_\_\_\_\_

SIS # \_\_\_\_\_

AIA # \_\_\_\_\_



535038 (NMDE)

Medium drying zone with door for green&amp;clean Multi Rinse Rack Type Dishwasher

### Short Form Specification

Item No. \_\_\_\_\_

Unit to be medium dryer suitable to be installed with green&clean multi-rinse rack type dishwasher. Electrical characteristics to be \_\_ 400V three phase operation. Dryer uses internal and external air to provide good drying result without high energy consumption. Insulated door with easy access for silent operation and heat preservation. Construction in AISI 304 stainless steel. Suitable for any feeding direction of the dishwasher thanks to easy reversibility on-site. Full pre-arrangement to be connected with green&clean multi-rinse rack type dishwasher without any modification.

### Main Features

- Unit to be placed between multi-rinse rack type dishwasher and handling system.
- Drying zone removes most of water from the crockery through a high powered fan that extracts dry air from outside mixing it with the internal air, thus providing dry plates at a temperature cool enough to handle safely.
- Large counter balanced inspection door allows unrestricted all-round access to the internal area. Door is insulated with injected foam. This adds strength as well as reduces noise and heat loss.
- Electronically controlled to optimize drying results.
- The feeding direction can be either left to right or right to left as it's reversible on site.

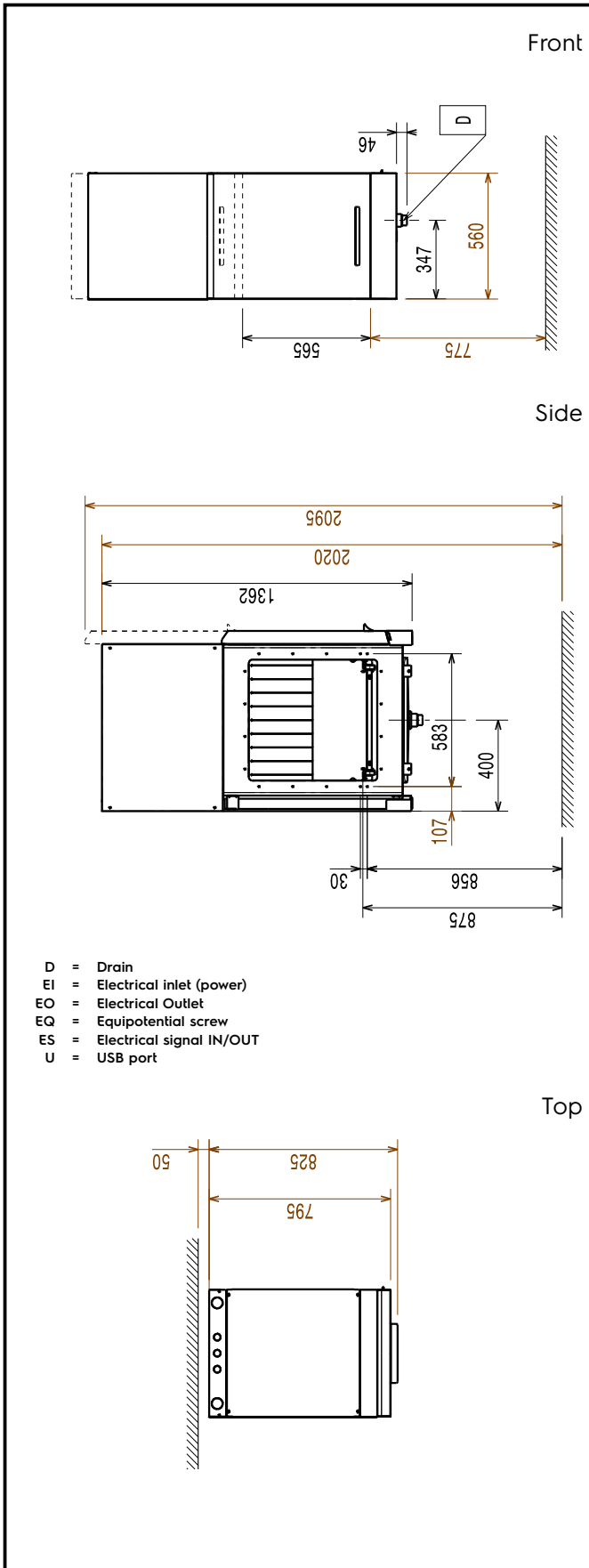
### Construction

- All main components made in heavy duty anti-corrosive 304 type stainless steel: internal chamber, external, front and side panels, door and rack transportation system.
- The chamber is pressed with fully rounded corners without internal pipes and therefore no hidden dirt traps.
- The unit is built on modularity concept to easily connect with multi-rinse rack type dishwasher without any modification including power connection.
- IPX5 water resistance certification.

### Optional Accessories

- Plain undershelf with hole for drain for Hot Air Blower, 560 mm PNC 863228
- Grid undershelf for Hot Air Blower, 555 mm PNC 863229
- Pair of legs for long conveyors connected directly to the Rack Type Dishwasher with hot air blower PNC 865477

APPROVAL: \_\_\_\_\_



### Electric

|                                 |                       |
|---------------------------------|-----------------------|
| <b>Supply voltage:</b>          | 380-415 V/3N ph/50 Hz |
| <b>Default Installed Power:</b> | 4.4 kW                |
| <b>Dryer heating elements:</b>  | 4.13 kW               |
| <b>Drying fan power:</b>        | 0.23 kW               |

### Key Information:

For transportation purpose only, the depth can be reduced to 795mm by removing the door handle.  
 Reference norm used to measure the noise: IEC60335-2-58 annex AA.

|                                     |                       |
|-------------------------------------|-----------------------|
| <b>Height with door open:</b>       | 2100 mm               |
| <b>External dimensions, Width:</b>  | 560 mm                |
| <b>External dimensions, Depth:</b>  | 825 mm                |
| <b>External dimensions, Height:</b> | 1362 mm               |
| <b>Net weight:</b>                  | 80 kg                 |
| <b>Shipping weight:</b>             | 80 kg                 |
| <b>Shipping height:</b>             | 1570 mm               |
| <b>Shipping width:</b>              | 720 mm                |
| <b>Shipping depth:</b>              | 900 mm                |
| <b>Shipping volume:</b>             | 1.02 m <sup>3</sup>   |
| <b>Dryer air flow:</b>              | 530 m <sup>3</sup> /h |
| <b>Dryer air temperature:</b>       | 70 °C                 |

### Sustainability

|                     |         |
|---------------------|---------|
| <b>Noise level:</b> | <62 dBA |
|---------------------|---------|